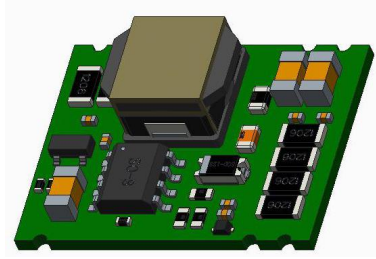


Constant current great power buck LED driver



FEATURES

- High efficiency up to 94%
- Ultra-wide input voltage range (6-36VDC)
- Output current stability ($\pm 1\%$)
- Continuous short circuit protection
- Open frame and ultra-thin SMD package
- Analog dimming+PWM dimming
- RoHS Compliance
- EN62368 approved

CE Patent Protection RoHS



The KC24JT-xxxR3 series is a step-down constant current source designed for high power LED drivers. It features high efficiency, wide input voltage range, high temperature working environment and complete functions, which includes PWM dimming, analog dimming, and remote shutdown. They are widely used in backlights and 6V, 12V, 24V, 30V automotive lighting, landscape lighting, special lighting, commercial lighting, street lighting, home lighting and other lighting systems.

Selection Guide

Certification	Part No.	Input Voltage (VDC)	Output	Efficiency (%) Min/Typ.	Max. Capacitive Load(uF)
		Nominal (range)	Current (mA)		
CE	KC24JT-300R3	24 (6-36)	300	91/94	1000uF
	KC24JT-700R3		700	91/94	

Input Specifications

Item	Operating Conditions	Min.	Typ.	Max.	Unit
Input Voltage Limit	≤ 10 seconds	0	--	40	VDC
Input-output Voltage Drop		2	3	--	
Input Filter		Capacitance filter			

Output Specifications

Item	Operating Conditions	Min.	Typ.	Max.	Unit
Power	KC24JT-700R3, $I_o=700mA$	2.31	--	23.1	W
	KC24JT-300R3, $I_o=300mA$	0.99	--	9.9	
Current Accuracy		--	± 2	± 5	%
Current Stability	$V_{in}=36V$, 1-10LEDs	--	--	± 1	
Temperature Coefficient	$-40^{\circ}C$ to $+71^{\circ}C$	--	--	± 0.05	$\%/^{\circ}C$
Ripple & Noise*	$V_{in}=36V$, 1-10LEDs	--	--	150	mVp-p
Internal Power Dissipation	$V_{in}=24V$, 5LEDs	--	--	1.2	W
Short-circuit Protection		Continuous, self-recovery			

Note: * The "parallel cable" method is used for Ripple and Noise test, please refer to DC-DC Converter Application Notes for specific information.

General Specifications

Item	Operating Conditions	Min.	Typ.	Max.	Unit
Operating Temperature	See Fig. 1	-40	--	71	$^{\circ}C$
Storage Temperature		-55	--	125	
Switching Frequency		450	500	550	kHz
MTBF	MIL-HDBK-217F@25 $^{\circ}C$	1500	--	--	k hours

General Specifications

Dimensions	21.50 x 16.72 x 5.20 mm				
Weight	2.2g (Typ.)				
Cooling Method	Free air convection				

PWM Dimming

Remote ON/OFF	ON	0 < Vc < 0.75V			
	OFF	Open or Vc > 5V			
Remote pin current	Vc=5V	--	--	1	mA
Quiescent input current in Shutdown mode	Vin=24V, Vc < 0.75V	--	400	--	uA
PWM frequency		--	--	200	Hz

Analogue dimming

Input voltage range	Vin=6-36V	0-15V			
Output current range	Vin=6-36V	0%-100%			
Control voltage range	Full on	0.75V ± 50mV			
	Full off	4.7V ± 200mV			

Electromagnetic Compatibility (EMC)

Emissions	CE	CISPR32/EN55032	CLASS B (see Fig. 4-② for recommended circuit)		
	RE	CISPR32/EN55032	CLASS B (see Fig. 4-② for recommended circuit)		
Immunity	ESD	IEC/EN 61000-4-2	Contact ±4kV		perf. Criteria B
	RS	IEC/EN 61000-4-3	10V/m		perf. Criteria B
	EFT	IEC/EN 61000-4-4	±1kV (see Fig. 4-① for recommended circuit)		perf. Criteria B
	Surge	IEC/EN 61000-4-5	±1kV (see Fig. 4-① for recommended circuit)		perf. Criteria B
	CS	IEC/EN 61000-4-6	3Vr.m.s		perf. Criteria B

Typical Characteristic Curves

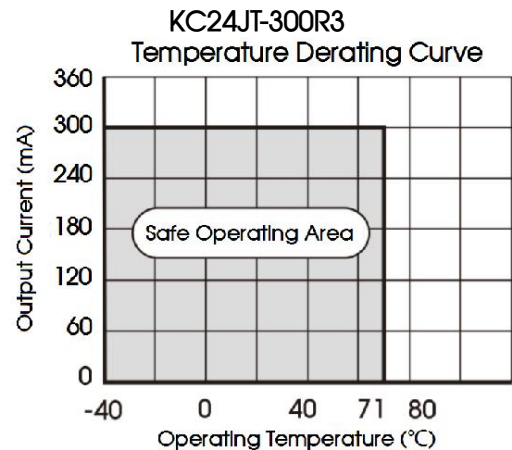
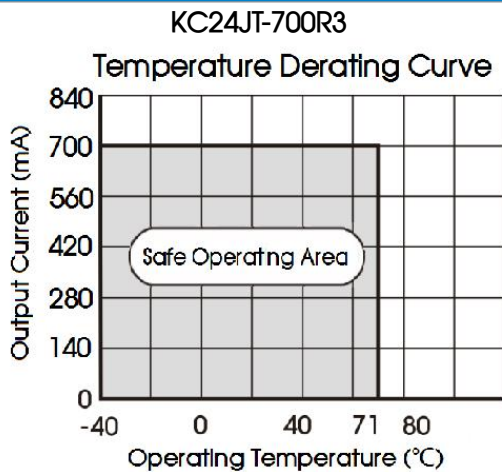


Fig. 1

Design Reference

1. Input/output relationship

Input voltage (VDC)	Output voltage range (VDC)	Constant output current (mA)	Output power (W, Max.)
36	2.8-33.0	700/300	23.1/9.9
24	2.8-18.0	700/300	15.2/5.4
6	2.8-3.3	700/300	2.31/0.9

2. Typical application circuit

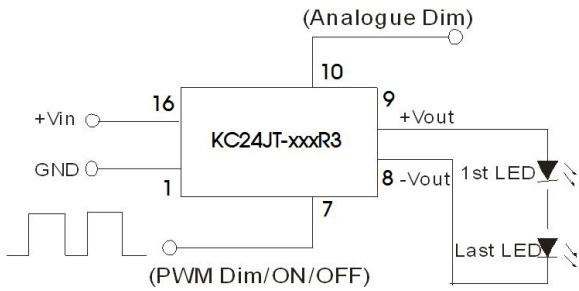


Fig. 2 Application circuits in series

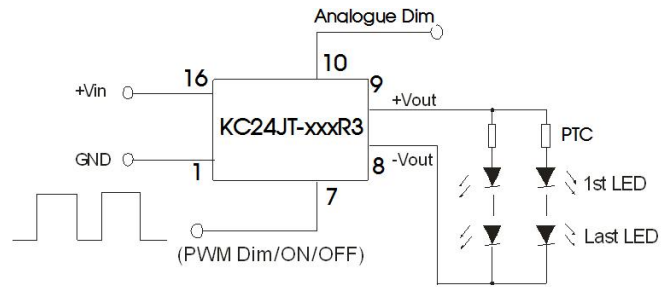
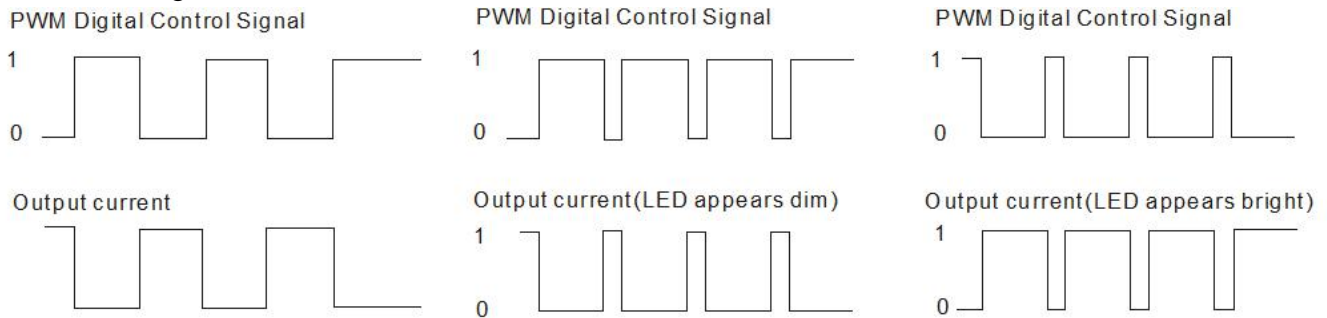


Fig. 3 Application circuits in series and parallel

If it is necessary to protect LED in actual application, you could connect a PTC to the input of every channel or all channels, as shown in Figure 3. Note: The negative output terminal can't connect GND, or the module may be damaged.

3. PWM dimming control



For a certain frequency of PWM dimming, the output current of the driver is inversely proportional to the duty cycle of the PWM signal. By adjusting the duty cycle of the PWM signal, the brightness of the LED can be adjusted. The formula is:

$$I_{o_set} = I_{o_nom} \times (1-D)$$

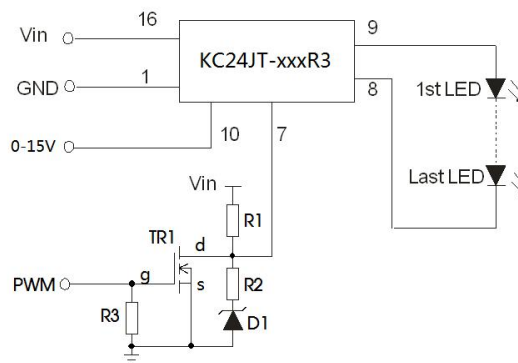
I_{o_set} refers to the wanted output current value.

I_{o_nom} refers to the rated output current

D refers to the pulse width of the PWM signal

For example: we assume the rated output current is 700mA and wanted output current is 350mA, then the pulse width should be 0.5 from the equation above. That is say if we keep the pulse width of PWM signal at 0.5, the output current will be kept at 350mA. It is natural for the driver to generate a audibly noise in dimming process, because the frequency of the control circuit is within human audibly range (20Hz~20KHz). In order to avoid the human eye can observe the LED flashes, the PWM dimming frequency is recommended to set above 100Hz.

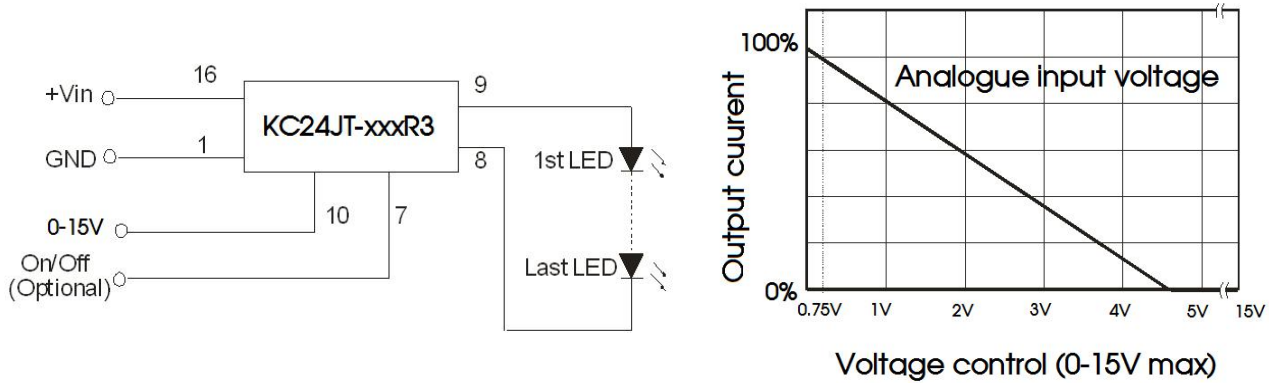
PWM dimming positive logic application recommended circuit



Components	KC24JT-xxxR3
R1	8.2k Ω /0.5W
R2/R3	1k Ω /0.5W
TR1 (N type)	40V/2A
D1 (Zener tube)	5.1V

For a certain frequency of PWM dimming, the output current of the driver is proportional to the duty cycle of the PWM signal.

4. Analogue dimming control and application example



5. EMC compliance circuit

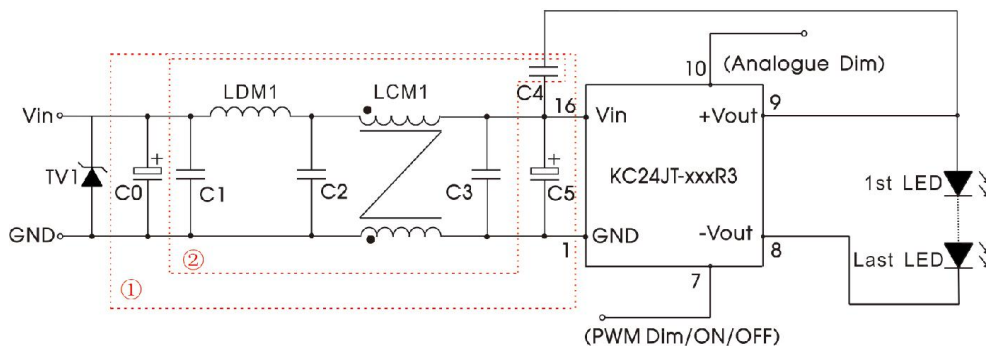


Fig. 4

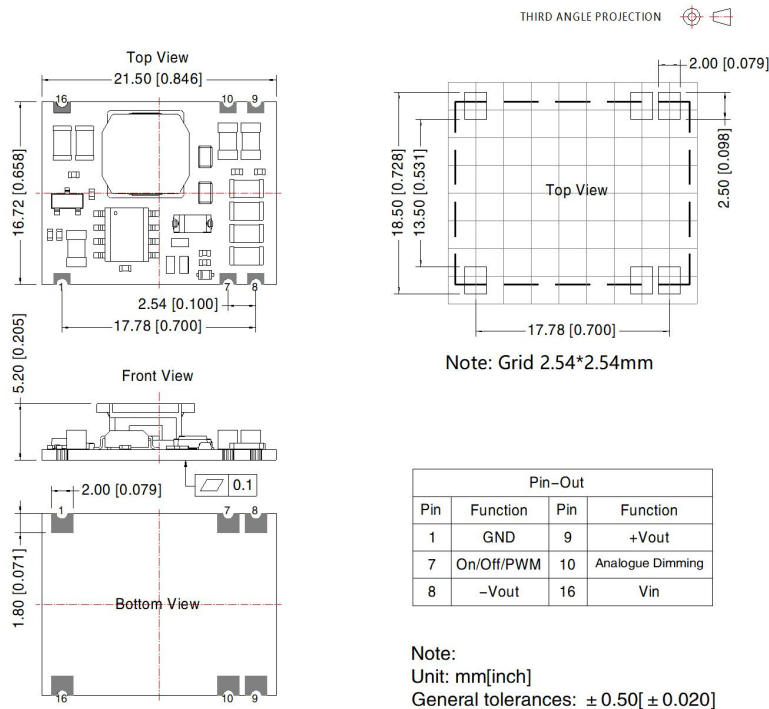
Components	KC24JT-700R3	KC24JT-300R3
TV1	SMC51A,1500W (Brightking)	
C0/C5	470uF/100V	
C1	15uF/50V	
LDM1	10uH/1A	
C2/C3/C4	4.7uF/50V	
LCM1	235uH/1A	320uH/1A

6. The voltage drop of all LEDs in the datasheet is 2.8-3.3V, during actual application, the number of LEDs can be confirmed based on the actual voltage drop and output voltage of LEDs.

7. This product does not support Hot-Plug use.

8. For additional information please refer to DC-DC converter application notes on www.mornsun-power.com

Dimensions and Recommended Layout



Note:

1. For additional information on Product Packaging please refer to www.mornsun-power.com. Packaging bag number : 58210090;
2. Unless otherwise specified, parameters in this datasheet were measured under the conditions of $T_a=25^{\circ}\text{C}$, humidity<75%RH with nominal input voltage and half output load;
3. All index testing methods in this datasheet are based on company corporate standards;
4. We can provide product customization service, please contact our technicians directly for specific information;
5. Products are related to laws and regulations: see "Features" and "EMC";
6. Our products shall be classified according to ISO14001 and related environmental laws and regulations, and shall be handled by qualified units.

Mornsun Guangzhou Science & Technology Co., Ltd.

Address: No. 5, Kehui St. 1, Kehui Development Center, Science Ave., Guangzhou Science City, Huangpu District, Guangzhou, P. R. China
Tel: 86-20-38601850 Fax: 86-20-38601272 E-mail: info@mornsun.cn www.mornsun-power.com