



RoHS



FEATURES

- Universal 320-600VAC or 450-850VDC input voltage, three-phase input (two or three phase are available)
- Operating ambient temperature range: -30°C to +70°C (60°C full load)
- High I/O isolation voltage up to 4000VAC
- Low ripple & noise, high efficiency, 5000m altitude
- DC OK function
- 130% peak load for 3 seconds
- Output short circuit, over-current, over-voltage, over-temperature protection
- OVC III (designed to meet EN62477/2000m)
- Safety according to UL/EN/IEC/BS EN62368, UL61010, EN62477, EN61558

LIT240-26Bxx is Mornsun AC-DC converter series featuring a cost-effective, energy efficient green power supply solution for standard DIN-rail mounting. The products offer a high level of stability and immunity to noise for electricity industry, and other industrial equipment in a variety of harsh environments. With good EMC performance, compliant with international UL/EN/IEC/BS EN62368, UL61010, EN62477, EN61558 standards for EMC and safety.

Selection Guide

| Certification | Part No.* | Output Power (W) | Nominal Output Voltage and Current (Vo/Io) | Output Voltage Adjustable Range ADJ (V)** | Efficiency at 400VAC (%) Typ. | Capacitive Load (μF) Max. |
|---------------|--------------|------------------|--|---|-------------------------------|---------------------------|
| / | LIT240-26B24 | 240 | 24V/10A | 24-28 | 92 | 10000 |
| | LIT240-26B48 | 240 | 48V/5A | 48-55 | 92 | 5000 |

Note: *Use suffix "QQ" for both sides conformal coating;

**The actual adjustment range may extend outside the values stated, care should be exercised to ensure that the output voltage and power levels remain within the published maximum values.

Input Specifications

| Item | Operating Conditions | | Min. | Typ. | Max. | Unit |
|---|----------------------|------------|-------------|------|------|------|
| Input Voltage Range (three-phase input) | AC input | | 320 | -- | 600 | VAC |
| | DC input | | 450 | -- | 850 | VDC |
| Input Frequency | | | 47 | -- | 63 | Hz |
| Input Current | 400VAC | | -- | -- | 0.85 | A |
| | 500VAC | | -- | -- | 0.75 | |
| Inrush Current | 400VAC | Cold start | -- | 50 | 60 | |
| Leakage Current | 480VAC | | <2mA/rms | | | |
| Hot Plug | | | Unavailable | | | |

Output Specifications

| Item | Operating Conditions | | Min. | Typ. | Max. | Unit |
|----------------------------|--------------------------------------|------------|---|--------------------------------------|------|------|
| Output Voltage Accuracy | All load range | | -- | ±1.0 | -- | % |
| Line Regulation | Rated load | | -- | ±0.5 | -- | |
| Load Regulation | 400VAC | | -- | ±1.0 | -- | |
| Ripple & Noise* | 20MHz bandwidth (peak-to-peak value) | 24V output | -- | 100 | 150 | mV |
| | | 48V output | -- | 150 | 200 | |
| Stand-by Power Consumption | | | -- | -- | 2 | W |
| Temperature Coefficient | | | -- | ±0.03 | -- | %/°C |
| Short Circuit Protection | | | Enter hiccup mode after constant current operation for 3s (typ.), continuous, self-recovery | | | |
| Over-current Protection | | | ≥130% Io, enter hiccup mode after constant current operation for 3s (typ.), self-recovery | | | |
| Over-voltage Protection | 24V output | | ≤36V | Output voltage hiccup, self-recovery | | |

AC/DC 240W DIN-Rail Power Supply

LIT240-26Bxx Series

MORNSUN®

| | | | | | |
|-----------------------------|-------------------------------------|---------------|----|-----|----|
| | 48V output | ≤65V | | | |
| Over-temperature Protection | Over-temperature protection start | -- | -- | 85 | °C |
| | Over-temperature protection release | 50 | -- | -- | |
| Minimum Load | | 0 | -- | -- | % |
| Start-up Time | | -- | -- | 1.5 | s |
| DC OK Signal** | Resistive load | 30VDC/1A Max. | | | |
| Hold-up Time | 400VAC | 10 | 20 | -- | ms |
| | 500VAC | 30 | 40 | -- | |

Note: *The "Tip and barrel method" is used for ripple and noise test: Ripple & noise are measured at 20MHz of bandwidth by using a 12" twisted pair-wire terminated with a 0.1uf & 47uf parallel capacitor, please refer to Enclosed Switching Power Supply Application Notes for specific information.
 **DC OK Signal: When the output voltage is normal, the relay is connected. When the output voltage is abnormal (<90%Vo), the relay is disconnected.

General Specifications

| Item | Operating Conditions | Min. | Typ. | Max. | Unit | |
|-----------------------|----------------------|---|-----------------|------|------|--------|
| Isolation | Input - output | Electric Strength Test for 1min., leakage current < 10mA | 4000 | -- | -- | VAC |
| | Input - ⊕ | Electric Strength Test for 1min., leakage current < 15mA | 2500 | -- | -- | |
| | Output - ⊕ | | 500 | -- | -- | |
| | Output - DC OK | | 500 | -- | -- | |
| Insulation Resistance | Input - output | 500VDC | 100 | -- | -- | MΩ |
| | Input - ⊕ | | | | | |
| | Output - ⊕ | | | | | |
| Operating Temperature | | -30 | -- | +70 | °C | |
| Storage Temperature | | -40 | -- | +85 | | |
| Storage Humidity | | -- | -- | 95 | %RH | |
| Altitude | | -- | -- | 5000 | m | |
| Power Derating | +60°C to +70°C | | 3.0 | -- | -- | % / °C |
| | 320VAC - 340VAC | Three-phase input | 1.0 | -- | -- | |
| | | | 550VAC - 600VAC | 0.4 | -- | |
| | 320VAC - 340VAC | Two-phase input (80%Io) | 1.0 | -- | -- | |
| | | | 550VAC - 600VAC | 0.4 | -- | |
| Safety Standard | | Design refer to UL/EN/IEC/BS EN62368-1, UL61010-1, UL61010-2-201 & EN61558-1, EN62477 | | | | |
| Safety Class | | CLASS I | | | | |
| MTBF | | MIL-HDBK-217F@25°C > 300,000 h | | | | |

Mechanical Specifications

| | |
|--------------------|----------------------------|
| Case Material | Metal (AL1100, SGCC) |
| Package Dimensions | 124.00 x 54.00 x 110.00 mm |
| Weight | 750g (Typ.) |
| Cooling Method | Free air convection |

Electromagnetic Compatibility (EMC)

| | | | | |
|-----------|---|------------------|--|------------------|
| Emissions | CE | CISPR32 EN55032 | CLASS B | |
| | RE | CISPR32 EN55032 | CLASS B | |
| | Harmonic current | IEC/EN61000-3-2 | CLASS A | |
| | Voltage flicker | IEC/EN61000-3-3 | | |
| Immunity | ESD | IEC/EN61000-4-2 | Contact ±8KV/Air ±15KV | Perf. Criteria A |
| | RS | IEC/EN61000-4-3 | 10V/m | Perf. Criteria A |
| | EFT | IEC/EN61000-4-4 | ±2KV | Perf. Criteria A |
| | Surge | IEC/EN61000-4-5 | Line to line ±2KV/line to ground ±4KV | Perf. Criteria A |
| | CS | IEC/EN61000-4-6 | 10Vr.m.s | Perf. Criteria A |
| | PFMF | IEC/EN61000-4-8 | 30A/m | Perf. Criteria B |
| | Voltage dips, short interruptions and voltage variations immunity | IEC/EN61000-4-11 | 100% dip 1 periods, 30% dip 25 periods, 100% interruptions 250 periods | Perf. Criteria B |

MORNSUN®

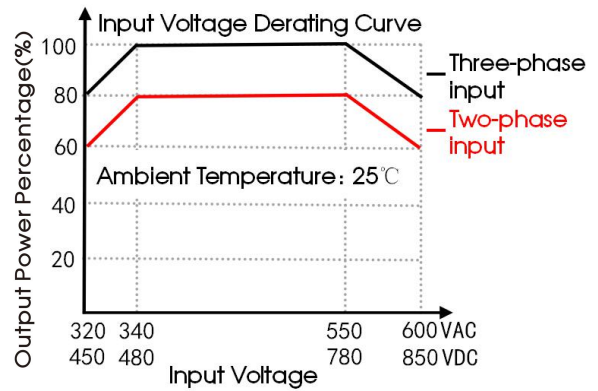
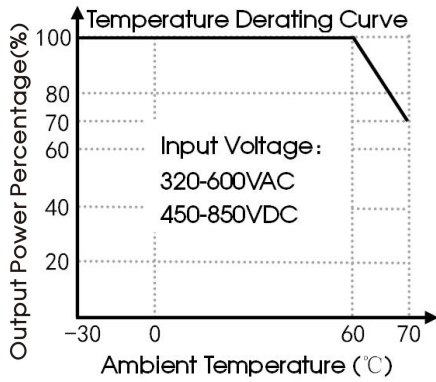
MORNSUN Guangzhou Science & Technology Co., Ltd.

2022.10.26-A/0

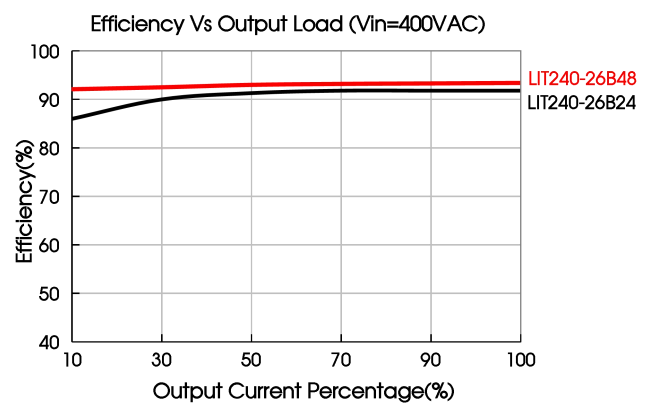
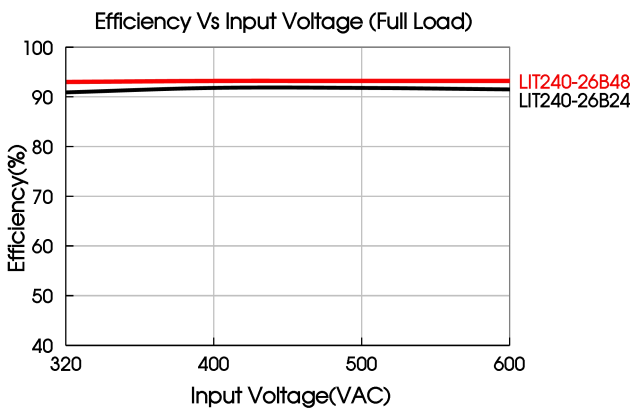
Page 2 of 6

MORNSUN Guangzhou Science & Technology Co., Ltd. reserves the copyright and right of final interpretation

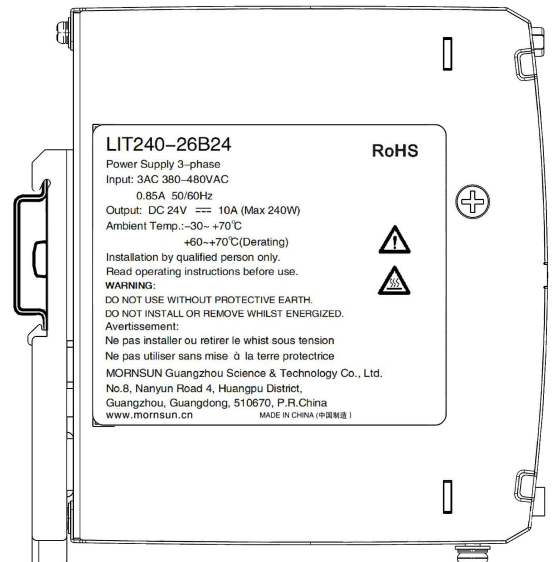
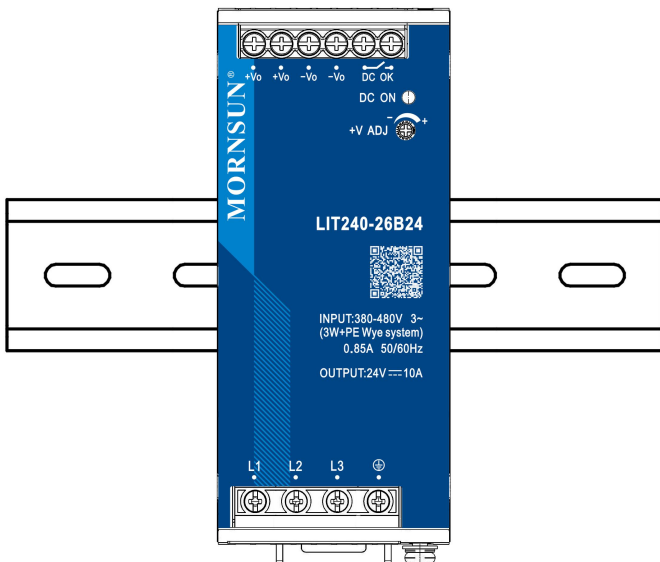
Product Characteristic Curve



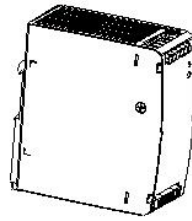
Note: ① With an AC input between 320-340VAC/550-600VAC and a DC input between 450-480VDC/780-850VDC, the output power must be derated as per temperature derating curves;
② This product is suitable for applications using natural air cooling; for applications in closed environment please consult Mornsun FAE.



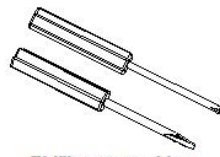
Installation Diagram



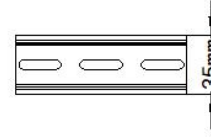
| Bill Of Material | | |
|------------------|---|-------|
| 1 | Product | 1 PCS |
| 2 | Phillips screwdriver Slotted screwdriver | 1 PCS |
| 3 | TS35/7.5 or TS35/15 | 1 PCS |
| 4 | 24-10AWG wires | / PCS |
| | All above is only for reference, the actual wiring diameter and locking torque refer to the appearance size diagram | |



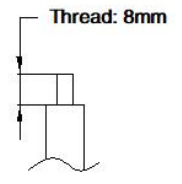
Product



Phillips screwdriver
Slotted screwdriver
Diameter of the cutting tools: 3mm



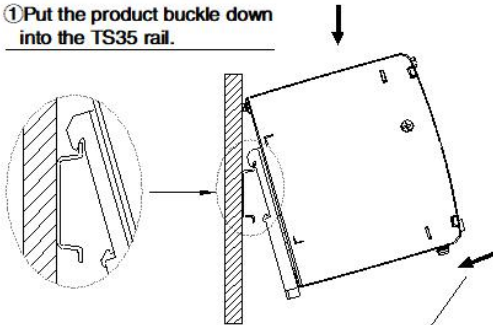
TS35/7.5 or TS35/15



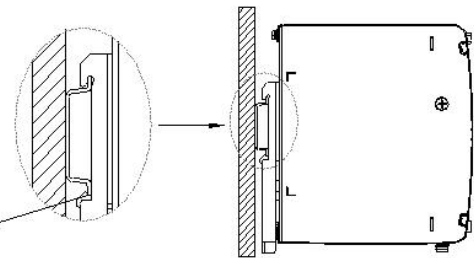
24-10AWG wires

Installation steps ①-②

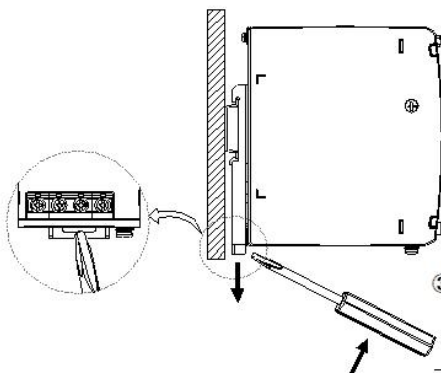
① Put the product buckle down into the TS35 rail.



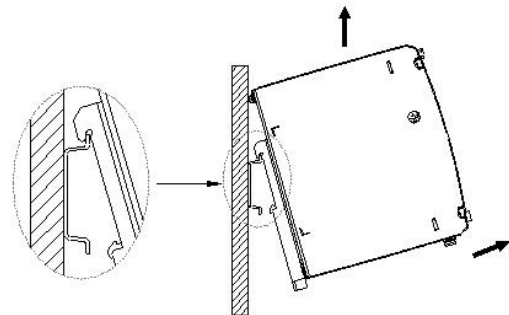
② Push the product perpendicular to the TS35 rail until hear the sound of the clip snapping into the rail.



Disassembly steps ③-④

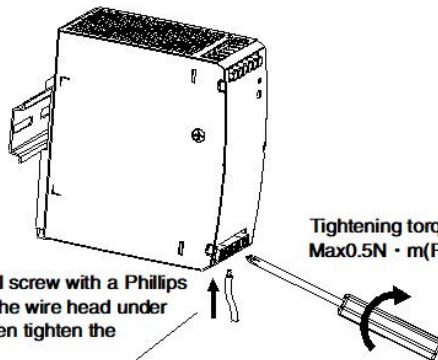


③ After inserting a Slotted screwdriver into the square groove at the bottom of the buckle, push the sliding part of the buckle downward according to the direction shown.



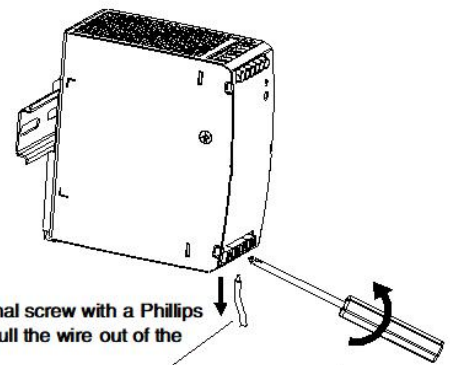
④ Push the bottom of the product outwards and take it out upwards.

Connecting/Disconnecting Steps ⑤-⑥



⑤ Loosen the terminal screw with a Phillips screwdriver, insert the wire head under the terminal, and then tighten the terminal screw.

Tightening torque:
Max0.5N · m(Reference);

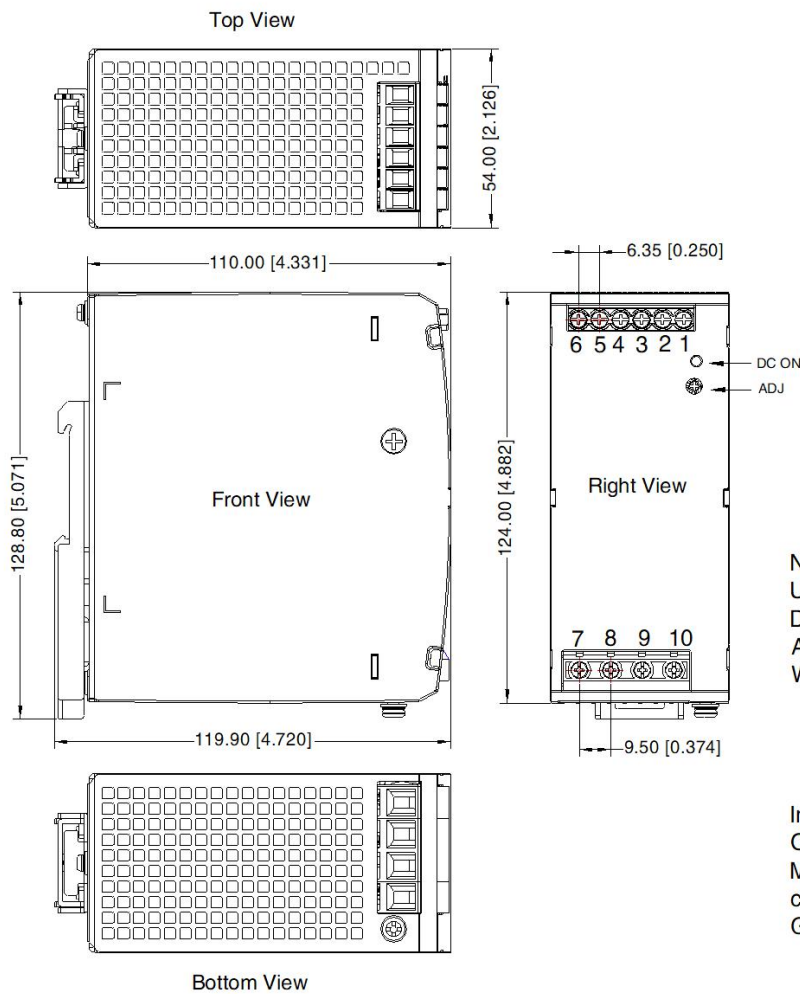



⑥ Loosen the terminal screw with a Phillips screwdriver and pull the wire out of the terminal hole.

Note: Keep the following installation clearances: 20mm on the top, 20mm on the bottom, 5mm on the left and right sides are recommended when the device is loaded permanently with more than 50% of the rated power. Increase this clearance to 15mm in case the adjacent device is a heat source (e.g. another power supply).

Dimensions and Recommended Layout

THIRD ANGLE PROJECTION 



| Pin-Out | |
|---------|---|
| Pin | Mark |
| 1 | DC OK |
| 2 | |
| 3 | -Vo |
| 4 | |
| 5 | +Vo |
| 6 | |
| 7 | AC(L1) or DC+ |
| 8 | AC(L2) or DC- |
| 9 | AC(L3) |
| 10 |  |

Note:

Unit: mm[inch]

DC ON: Output status indicator LED

ADJ: Output adjustable resistor

Wire range: Input: 24-10 AWG

(12-10AWG for pin10)

Output: 24V: 16-10AWG

48V: 18-10AWG

DC OK: 24-16AWG

Input Tightening torque: Max 1.0 N-m

Output Tightening torque: Max 0.5 N-m


Mounting rail: TS35, rail needs to connect safety ground

General tolerances: $\pm 1.00[\pm 0.039]$



WARNING Risk of electrical shock, fire, personal injury or death:

AVERTISSEMENT AVERTISSEMENT Risque de choc électrique, d'incendie, de blessures corporelles ou de décès :

1. Do not use the power supply without proper grounding (Protective Earth). Use the terminal on the input block for earth connection and not one of the screws on the housing;
N'utilisez pas l'alimentation électrique sans mise à la terre appropriée (Terre protectrice). Utilisez le terminal sur le bloc d'entrée pour la connexion terrestre et non pas une des vis sur le boîtier;
2. Turn power off before working on the device, protect against inadvertent re-powering;
Éteignez l'alimentation avant de travailler sur l'appareil, protégez-vous contre la réénergisation accidentelle;
3. Make sure that the wiring is correct by following all local and national codes;
Assurez-vous que le câblage est correct en suivant tous les codes locaux et nationaux;
4. Do not modify or repair the unit;
Ne modifiez pas ou ne réparez pas l'appareil;
5. Do not open the unit as high voltages are present inside;
Ne modifiez pas ou ne réparez pas l'appareil;
6. Use caution to prevent any foreign objects from entering the housing;
Faire preuve de prudence pour empêcher les objets étrangers d'entrer dans le logement;
7. Do not use in wet locations or in areas where moisture or condensation can be expected;
Faire preuve de prudence pour empêcher les objets étrangers d'entrer dans le logement;
8. Do not touch during power-on, and immediately after power-off, hot surfaces may cause burns; 
Ne touchez pas pendant l'alimentation et, immédiatement après l'alimentation, les surfaces chaudes peuvent causer des brûlures.
9. For ambient temperature $\leq 60^{\circ}\text{C}$, use $\geq 90^{\circ}\text{C}$ - copper wire only; for ambient temperature $>60^{\circ}\text{C}$ to 85°C , use $\geq 105^{\circ}\text{C}$ - copper wire only; use only wires with a minimum dielectric strength of 300V (input) and 60V (output);
Température ambiante $\leq 60^{\circ}\text{C}$, utiliser $\geq 90^{\circ}\text{C}$ - seulement fils de cuivre; Température ambiante $>60^{\circ}\text{C}$ et 85°C , utiliser $\geq 105^{\circ}\text{C}$ - seulement fils de cuivre; Uniquement pour l'utilisation de fils de cuivre d'une résistance d'isolation minimale de 300V (d'entrée) et 60V (de sortie).

Note:

1. For additional information on Product Packaging please refer to www.mornsun-power.com. Packaging bag number: 58220231;
2. Unless otherwise specified, parameters in this datasheet were measured under the conditions of $T_a=25^{\circ}\text{C}$, humidity $<75\%RH$ with nominal input voltage and rated output load;
3. The room temperature derating of $3.5^{\circ}\text{C}/1000\text{m}$ is needed for operating altitude greater than 2000m;
4. All index testing methods in this datasheet are based on our company corporate standards;
5. In order to improve the efficiency at high input voltage, there will be audible noise generated, but it does not affect product performance and reliability;
6. We can provide product customization service, please contact our technicians directly for specific information;
7. Products are related to laws and regulations: see "Features" and "EMC";
8. The out case needs to be connected to PE (\oplus) of system when the terminal equipment in operating;
9. Our products shall be classified according to ISO14001 and related environmental laws and regulations, and shall be handled by qualified units.

Mornsun Guangzhou Science & Technology Co., Ltd.

Address: No. 5, Kehui St. 1, Kehui Development Center, Science Ave., Guangzhou Science City, Huangpu District, Guangzhou, P. R. China
Tel: 86-20-38601850 Fax: 86-20-38601272 E-mail: info@mornsun.cn www.mornsun-power.com