

Common Mode Filter



RoHS

It is suitable for occasions that are sensitive to noise and EMC, such as analog circuits. After installing a FL2D-xx-xxx at the input of the module, the noise at the output of the module can be greatly reduced, which can significantly improve the EMC performance.

FEATURES

- Good temperature characteristic
- Compact size
- Effective anti-interference
- High reliability
- Meets UL508 isolation requirements

Selection Guide

Model	Inductance (μH)(typ)	Current (A)(max)	DCR(mΩ) (typ)	Weight (g) (typ)	Size(L*W*H)
FL2D-Z5-103	10000*2	0.5	500*2	4.5	See Figure 1
FL2D-Z5-153	15000*2	0.5	600*2	4.5	See Figure 1
FL2D-Z5-223	22000*2	0.5	650*2	4.5	See Figure 1
FL2D-10-102	1000*2	1.0	70*2	4.5	See Figure 1
FL2D-10-222	2200*2	1.0	90*2	4.5	See Figure 1
FL2D-10-332	3300*2	1.0	100*2	4.5	See Figure 1
FL2D-10-472	4700*2	1.0	140*2	4.5	See Figure 1
FL2D-30-351	350*2	3.0	30*2	3.9	See Figure 1
FL2D-30-102	1000*2	3.0	40*2	4.5	See Figure 1
FL2D-30-222	2200*2	3.0	50*2	4.5	See Figure 1
FL2D-30-472	4700*2	3.0	70*2	4.5	See Figure 1
FL2D-10-682	6800*2	1.0	160*2	6.5	See Figure 2
FL2D-10-822	8200*2	1.0	180*2	6.5	See Figure 2
FL2D-30-103	10000*2	3.0	50*2	13.8	See Figure 3
FL2D-A2-202	2000*2	12.0	145*2	25.2	See Figure 4
FL2D-60-402	4000*2	6	35*2	20	See Figure 5
FL2D-60-451	450*2	6	9*2	6.4	See Figure 6
FL2D-D0-040	4*2	40	2*2	30.9	See Figure 7

Note: The Inductance of FL2D-30-103, FL2D-A2-202 are minimum value, others are typical value.

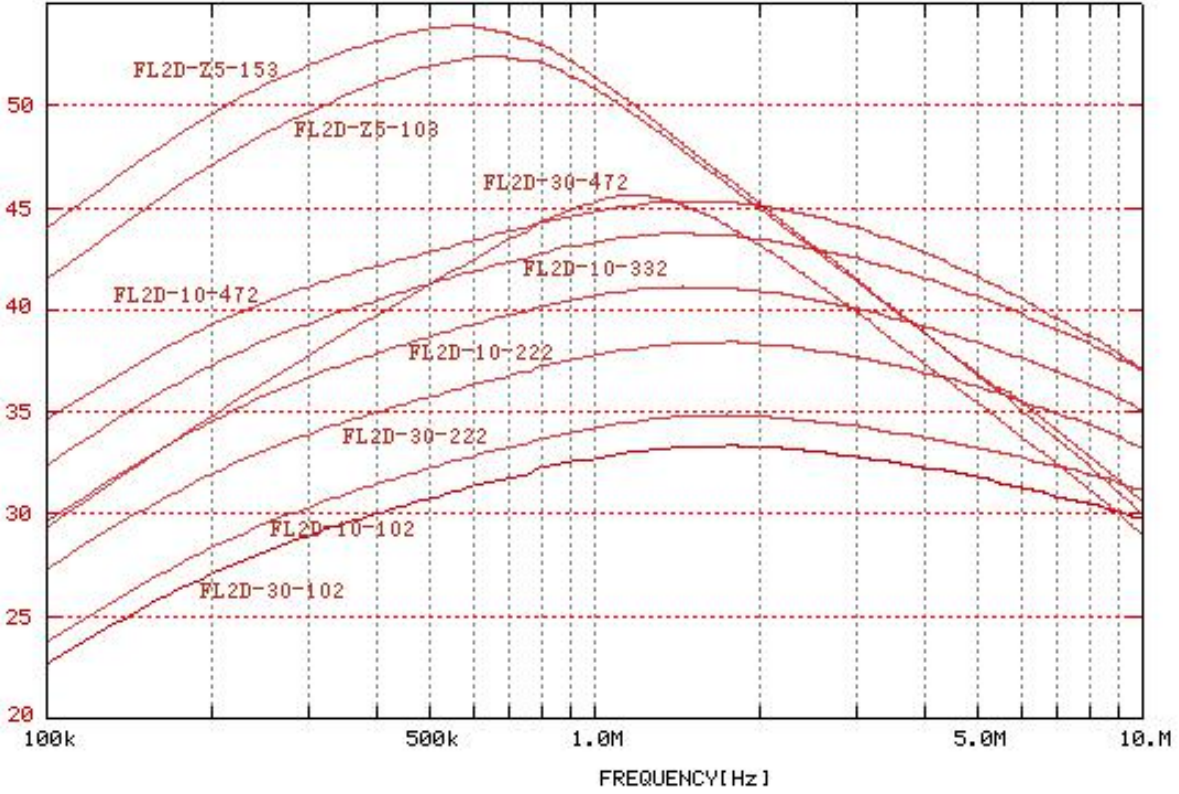
General Specifications

Item	Test Conditions	Min.	Typ.	Max.	Unit	
Operating Temperature*		-25	--	105	℃	
Storage Temperature		-40	--	105		
Storage Humidity		--	--	95	%RH	
Inductance	fo=1kHz, Uo=0.3V	FL2D-30-351	-50	--	--	%
		Others	-35	--	--	
Isolation	Leakage current Io=1mA	2000	--	--	VDC	
	Leakage current Io=5mA, testing time 3s, only for FL2D-30-103, FL2D-A2-202	Coil-coil	1500	--	--	VAC
		Coil-core	1000	--	--	

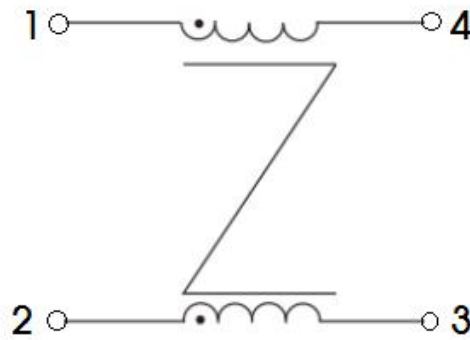
Vibration	FL2D-30-103, FL2D-A2-202, FL2D-60-402, FL2D-60-451, FL2D-D0-040	IEC60077, IEC 61373 - Category 1, Grade B
Note: *Operating Temperature range includes inductor self heating.		

Attenuation specifications (reference value)

GAIN [dB]



Pin Function



Dimensions and Recommended Layout

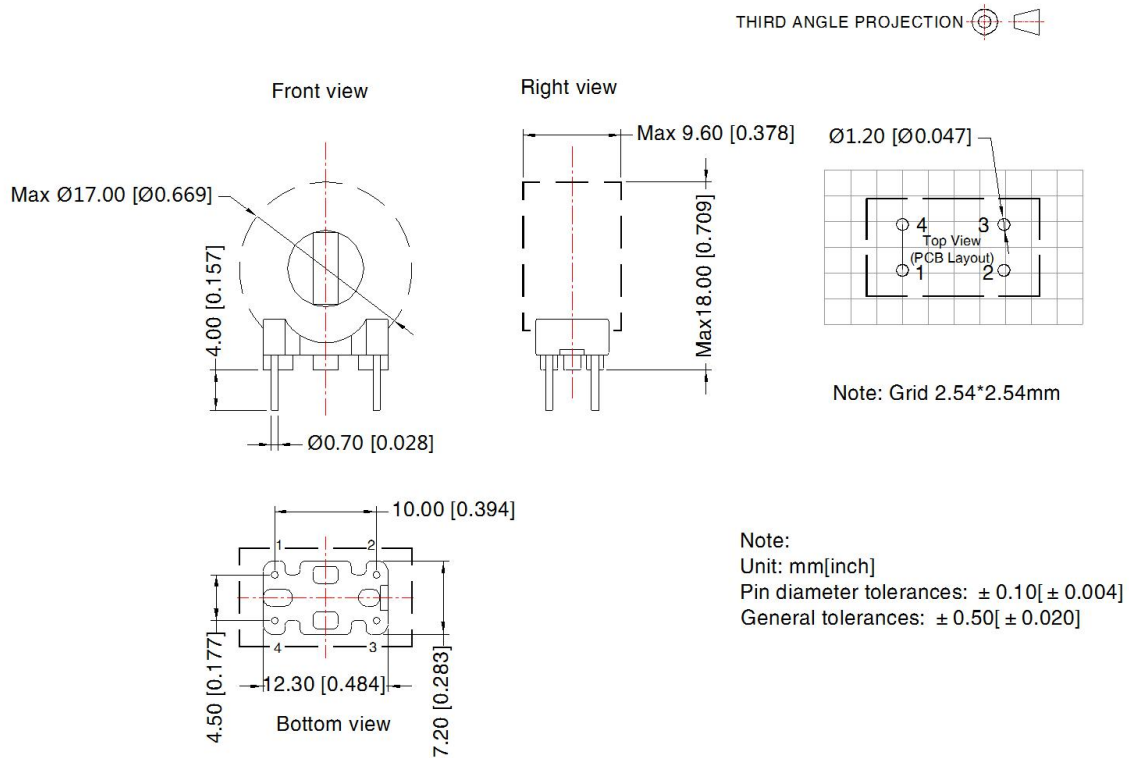


Fig. 1

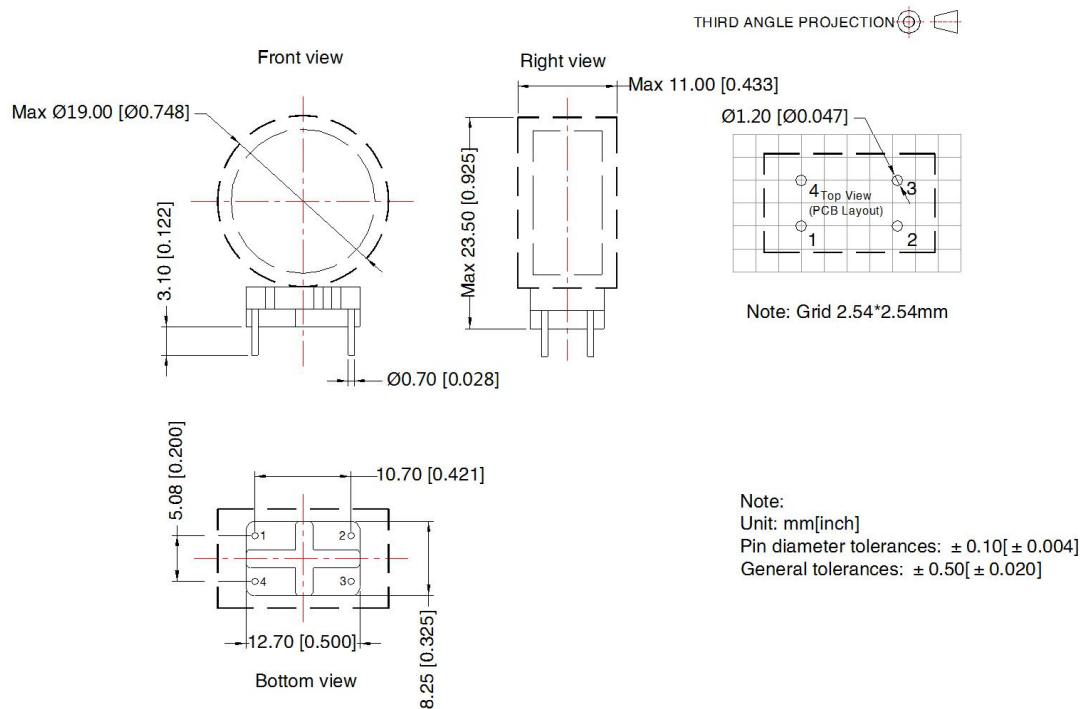


Fig. 2

THIRD ANGLE PROJECTION 

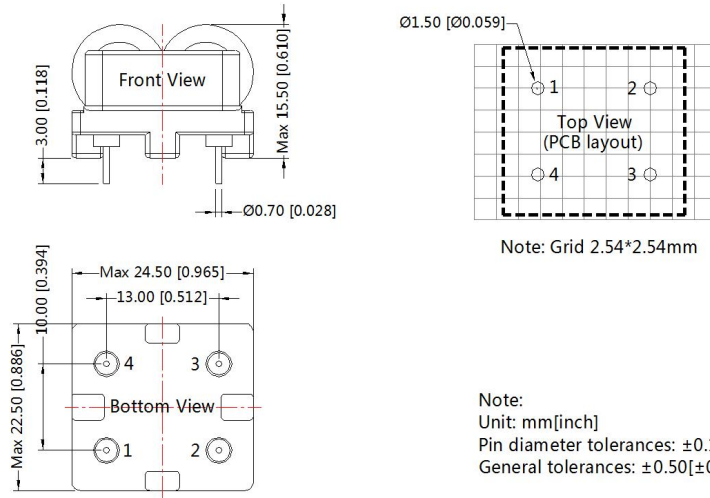


Fig. 3

THIRD ANGLE PROJECTION 

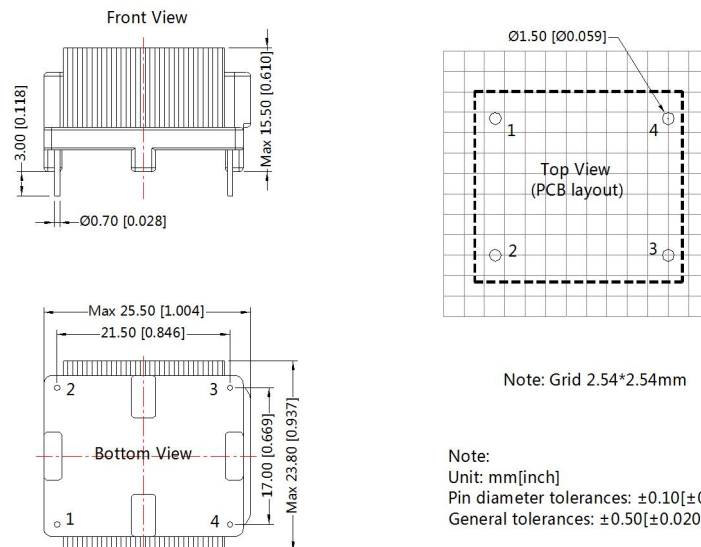


Fig. 4

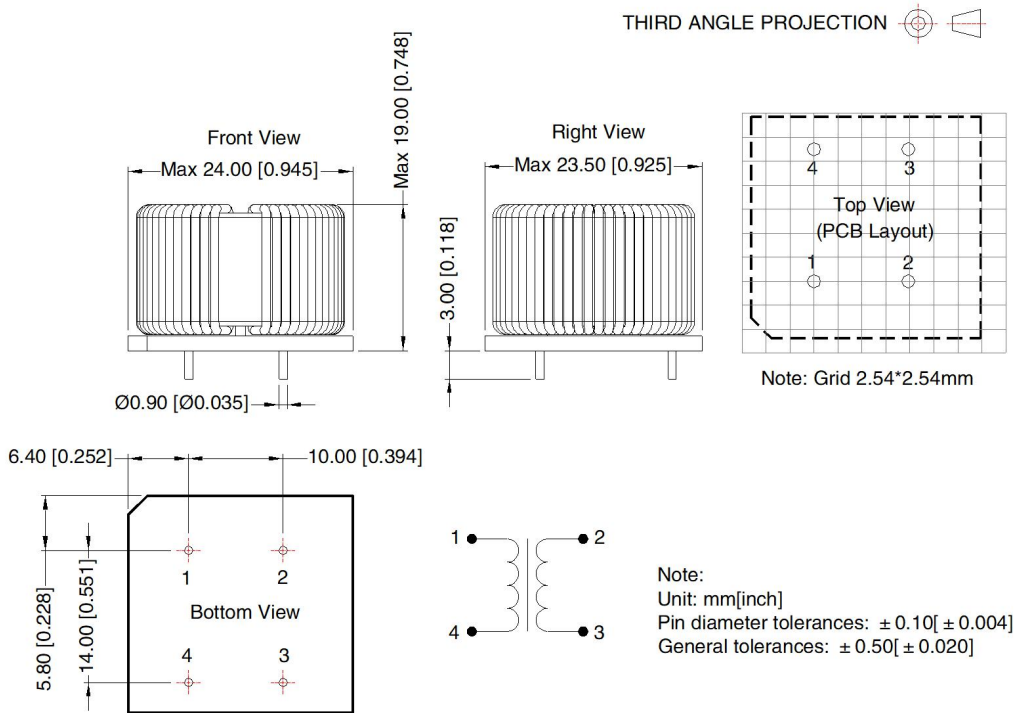


Fig. 5

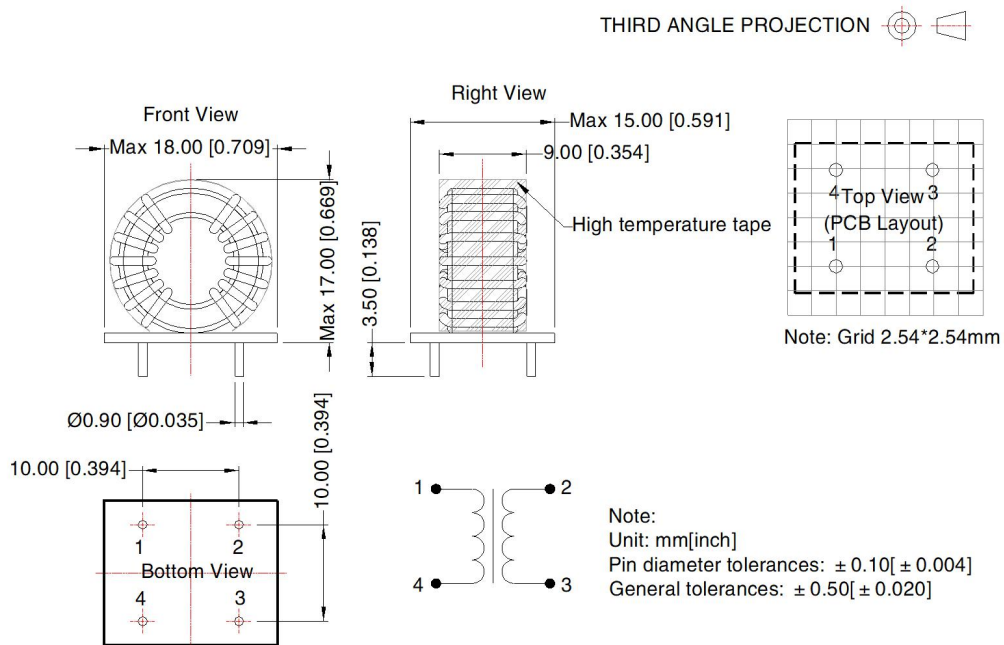


Fig. 6

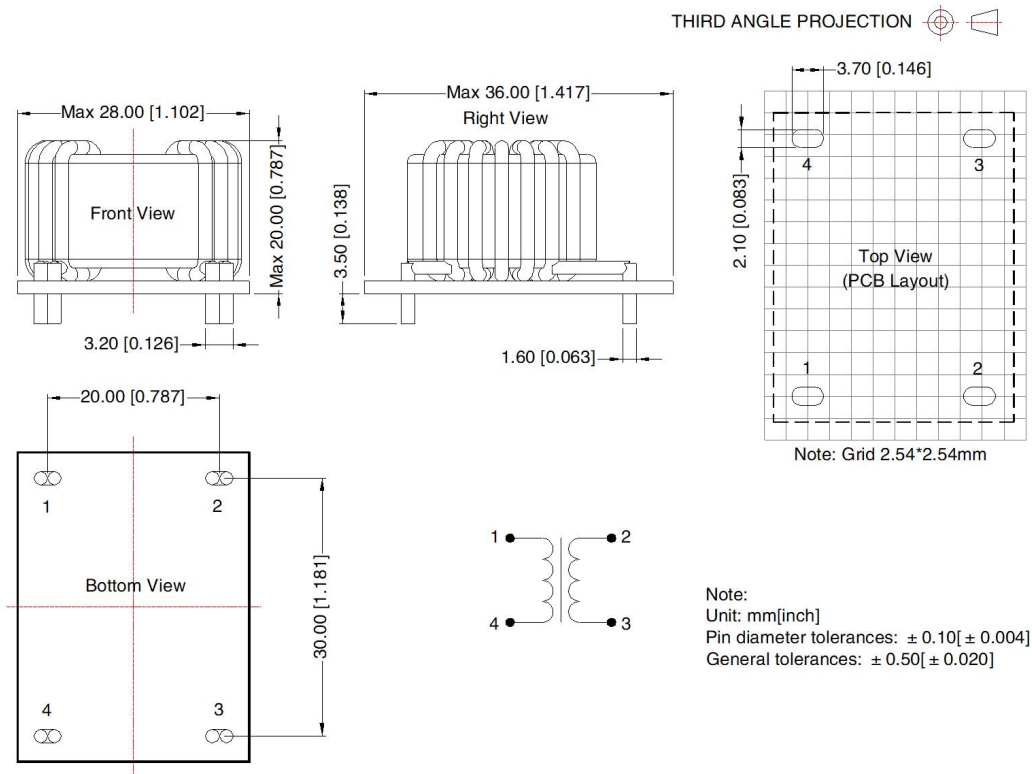


Fig. 7

Note:

- For additional information on Product Packaging please refer to www.mornsun-power.com. Packaging bag number: 58200055 (FL2D-10-682/FL2D-10-822/FL2D-30-103/FL2D-A2-202), 58210146(FL2D-60-402), 58210147(FL2D-60-451), 58220135(FL2D-D0-040), 58220018(Others);
- Unless otherwise specified, data in this data sheet should be tested under the conditions of $T_a=25^{\circ}\text{C}$, humidity<75%RH;
- All index testing methods in this datasheet are based on company corporate standards;
- The performance indexes of the product models listed in this manual are as above, but some indexes of non-standard model products will exceed the above-mentioned requirements, and please directly contact our technicians for specific information;
- We can provide product customization service, please contact our technicians directly for specific information;
- Products are related to laws and regulations: see "Features" ;
- Our products shall be classified according to ISO14001 and related environmental laws and regulations, and shall be handled by qualified units.

Mornsun Guangzhou Science & Technology Co., Ltd.

Address: No. 5, Kehui St. 1, Kehui Development Center, Science Ave., Guangzhou Science City, Huangpu District, Guangzhou, P. R. China
Tel: 86-20-38601850 Fax: 86-20-38601272 E-mail: info@mornsun.cn www.mornsun-power.com